

Apollo A-300

MID-RANGE REAR LOADER



Large hopper, low loading height, "E-Z load" productivity.

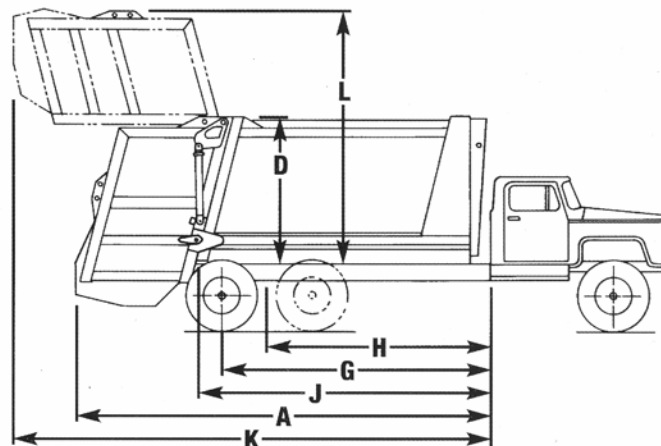
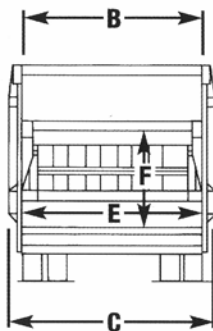


E-Z Pack

APOLLO A-300

Mid-Range Rear Loader

SPECIFICATIONS



MODEL NO.	A300-18	A300-20	A300-25
Capacity	18 cu. yd. (13.8 cu. mt.)	20 cu. yd. (15.3 cu. mt.)	25 cu. yd. (19.1 cu. mt.)
A LENGTH (INCLUDING TAILGATE)	223" (5664 mm)	238" (6045 mm)	272" (6909 mm)
B INSIDE WIDTH (BODY)	91" (2311 mm)		
C OUTSIDE WIDTH	96" (2438 mm)		
D HEIGHT (ABOVE CHASSIS FRAME)	90-1/4" (2292 mm)		
E HOPPER WIDTH	80" (2032 mm)		
F LOADING OPENING	80" x 58" (2032 x 1473 mm)		
G CAB-TO-AXLE	120"-126" (3048 - 3200 mm)	138" - 144" (3505 - 3658 mm)	N/A N/A
H CAB TO TRUNNION	N/A N/A	126" - 132" (3200 - 3353 mm)	156" - 162" (3962 - 4115 mm)
J DECK LENGTH	155" (3937 mm)	170" (4318 mm)	204" (5182 mm)
K LENGTH T.G. RAISED	262" (6655 mm)	277" (7036 mm)	311" (7899 mm)
L HEIGHT T.G. RAISED	156" (3962 mm)		
LOADING HEIGHT	Up to 5-1/2" (140 mm) below chassis frame	Up to 5-1/2" (140 mm) below chassis frame	Up to 5-1/2" (140 mm) below chassis frame
HOPPER CAPACITY	3 cu. yd. (2.3 cu. mt.)	3 cu. yd. (2.3 cu. mt.)	3 cu. yd. (2.3 cu. mt.)
WEIGHT	9,700 lb. (4400 kg.)	10,050 lb. (4559 kg.)	10,800 lb. (8499 kg.)

*Chassis specifications listed are intended as general guidelines only. Each chassis selection should be made on an analysis of the weight distribution for the particular chassis/packer combination including optional equipment and anticipated payloads.

CONSTRUCTION AND OPERATIONAL DETAILS	
Body Sides	7 ga. 100,000 PSI (4.76 mm)
Body Floor	7 ga. 50,000 PSI (4.76 mm)
Body Roof	10 ga. 50,000 PSI (3.42 mm)
Ejector Panel	7 ga. 50,000 PSI (4.76 mm)
Hopper Sides	Lower 1/4" 100,000 PSI (6.35 mm) Upper 7 ga. 50,000 PSI (4.76 mm)
Hopper Floor	1/4" 100,000 PSI (6.35 mm)
Packing Panel	1/4" 50,000 PSI (6.35 mm)
Oil Tank	37 gal. (140 liters)
Packing Cylinders (2)	4-1/2" I.D. (D.A.) (114 mm)
Sweep Cylinders (2)	4" I.D. (D.A.) (102 mm)
Tailgate Cylinders (auto latch)	3" I.D. (D.A.) (76 mm)
Ejector Cylinder (1)	18 / 20 cu. yd. (2 stage) — 5-1/2" (D.A.) Tele (140 mm) 25 cu. yd. (3 stage) — 5-1/2" (D.A.) Tele (140 mm)
Hydraulic Pump	27 GPM @ 1200 RPM (102 liter/min.)
Hydraulic Filters	suction — 100 mesh return — 10 micron
System Operating Pressure	2500 PSI
NOTE: PTO Requirements are 39 HP @ 1200 RPM (Torque Rating 212 Ft. Lb.) Minimum	
SPECIAL NOTE: Chassis must be equipped with diesel engine and requires variable speed governor.	

Standard Equipment:

- Manual Controls
- Gate Props
- Back Up Alarm
- Body Lifting Eyes
- High Mount Light Package
- ICC Lights and Reflectors Meet DOT Requirements
- Non-Skid Riding Steps at Rear Corners of Tailgate
- Streetside and Curbside Buzzers
- Automatic Latch-Unlatch Tailgate

Optional Equipment:

- Airshift or Hot Shift PTO's
- Streetside Access Door
- Front Mount Pump
- Dual Hopper Flood Lights
- Rear Body Side Liner
- 10,000# (4536 kg) Overhead Winch*
- 14,000# (6350 kg) Reeving Cylinder Winch*
- System Pressure Gauge
- 1-3 Yard (.76-2.3 cu. mt.) Hydraulic Container Attachment

*Optional Container Dumping Devices Handle Containers up to 10 Cubic Yards (7.6 cu. mt.).

Operational Features:

- **COMPACTION CYCLE:** Manual hydraulic, automatic split cycle, fully reversible.
- **CYCLE TIME:** 26 seconds, reload @ 9 seconds.
- **PACKER PANEL:** Curved, one-piece construction.
- **EJECTOR PANEL:** Travels in steel guide shoes, floor level track.
- **PACKING CYLINDERS:** Positioned away from refuse for trouble-free operation.
- **EJECTOR CYLINDER:** Heavy-duty, double-acting, telescopic.

E-Z Pack Manufacturing, LLC reserves the right under its Product Improvement Program to modify construction and/or design and furnish equipment without reference to illustrations and/or specifications shown herein. All specifications subject to change without notice.

HOLTZ 
INDUSTRIES, INC.

200 South Terrace Court
Newark, OH 43055
Phone: 1-800-535-0104
Website: www.holtzindustries.com