

Rubber Wheel Removal Instruction

- Use a common shop awl to remove wheels.
- Locate the dimple over the locking pin.

CAUTION

Keep awl pointed away from your body and hands at all times.



- Push the awl into the dimple at a 45° angle pointing toward the center hub.
- Twist and push the awl until it punches through the plastic and finds the pin as shown in Diagram 1.

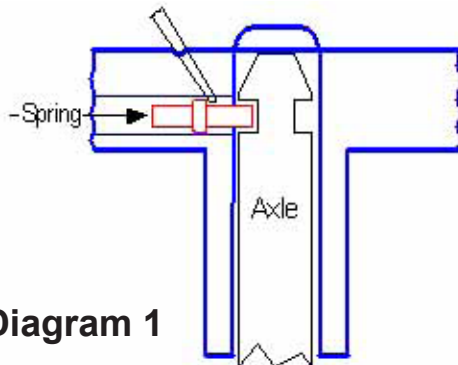


Diagram 1



- Lever the awl away from the hub to push the pin away from the axle.
- With the pin disengaged from the axle lift up on the wheel to remove it as shown in Diagram 2.

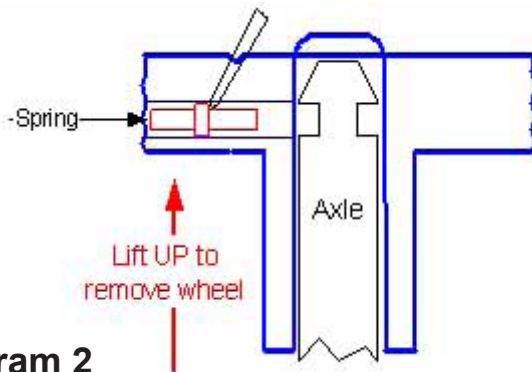


Diagram 2



**Holtz Industries, Inc. | 200 S. Terrace Ct
Newark, OH, 43055 • Ph: 1-800-535-0104**