



# Extendable Tail Hoist Primer



# Extendable Tail Hoists

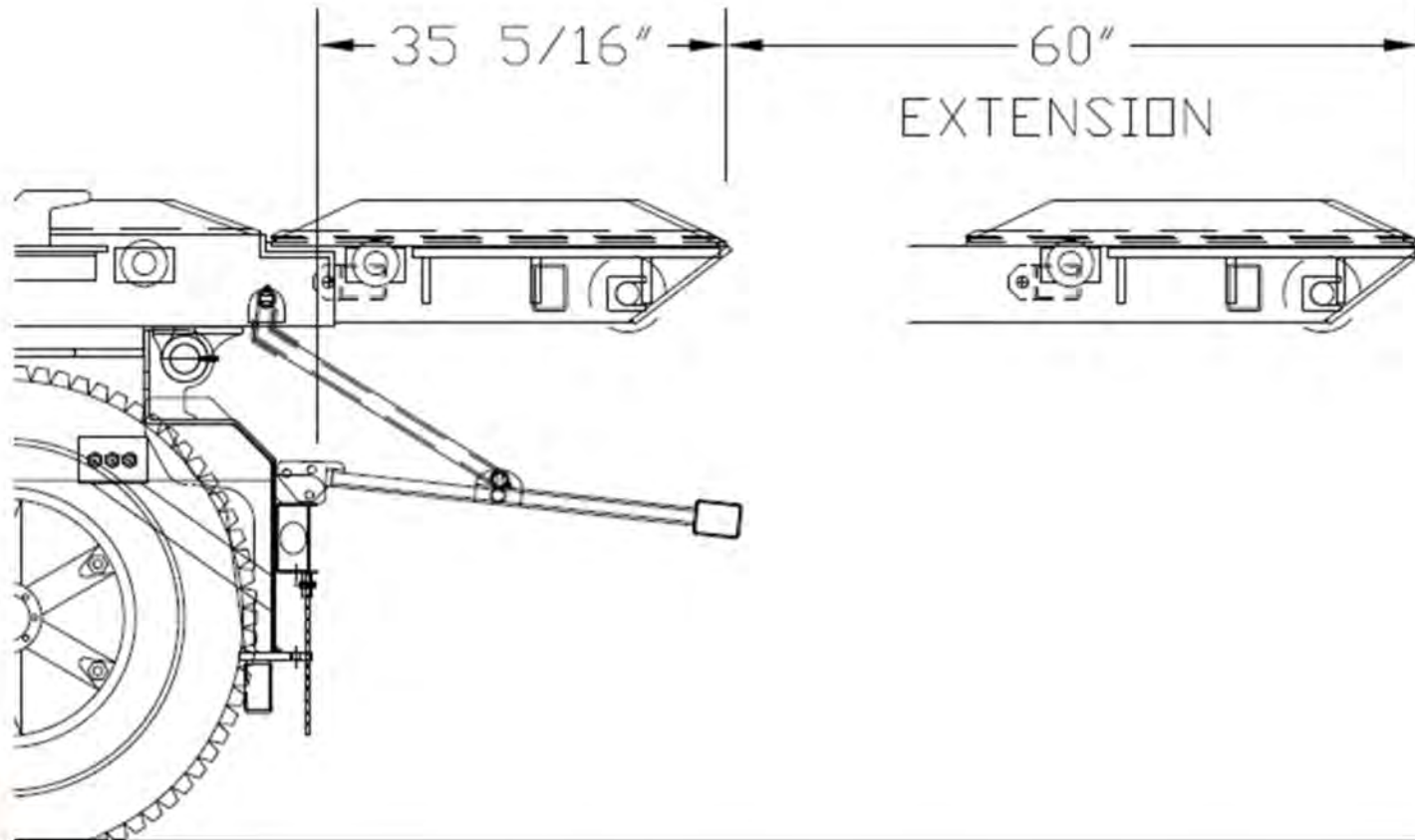
- Standard EX Model sometimes called “Stingers”
  - Tail extends 16” beyond the back bumper in retract position
  - Does not require and ICC bumper
  - Tail meant to be fully retracted except for loading
  - Load Angle 26 degrees
  - Tail extends 80”
  - Tail Cylinder – 3 ½ X 2 ½ X 80”
- Advantages
  - Low loading height where overhead clearance is needed
  - No dumping over the tail section
  - 20’ container ideal on a 174 model

# Inside Outside Rail EX or IX Model

- IX Model
  - Tail projection at rear = 35 5/16" (retracted)
  - Has old style auto fold-up ICC bumper
  - Tail meant to be fully retracted except for loading
  - Load Angle 26 degrees
  - Tail extends 60"
  - Tail Cylinder – 3 1/2 X 2 1/2 X 60"
- Advantages
  - Low loading height where overhead clearance is needed
  - Minimal dumping over the tail section
  - 20' containers



# Inside/Outside Rail Extendable Tail IX Model

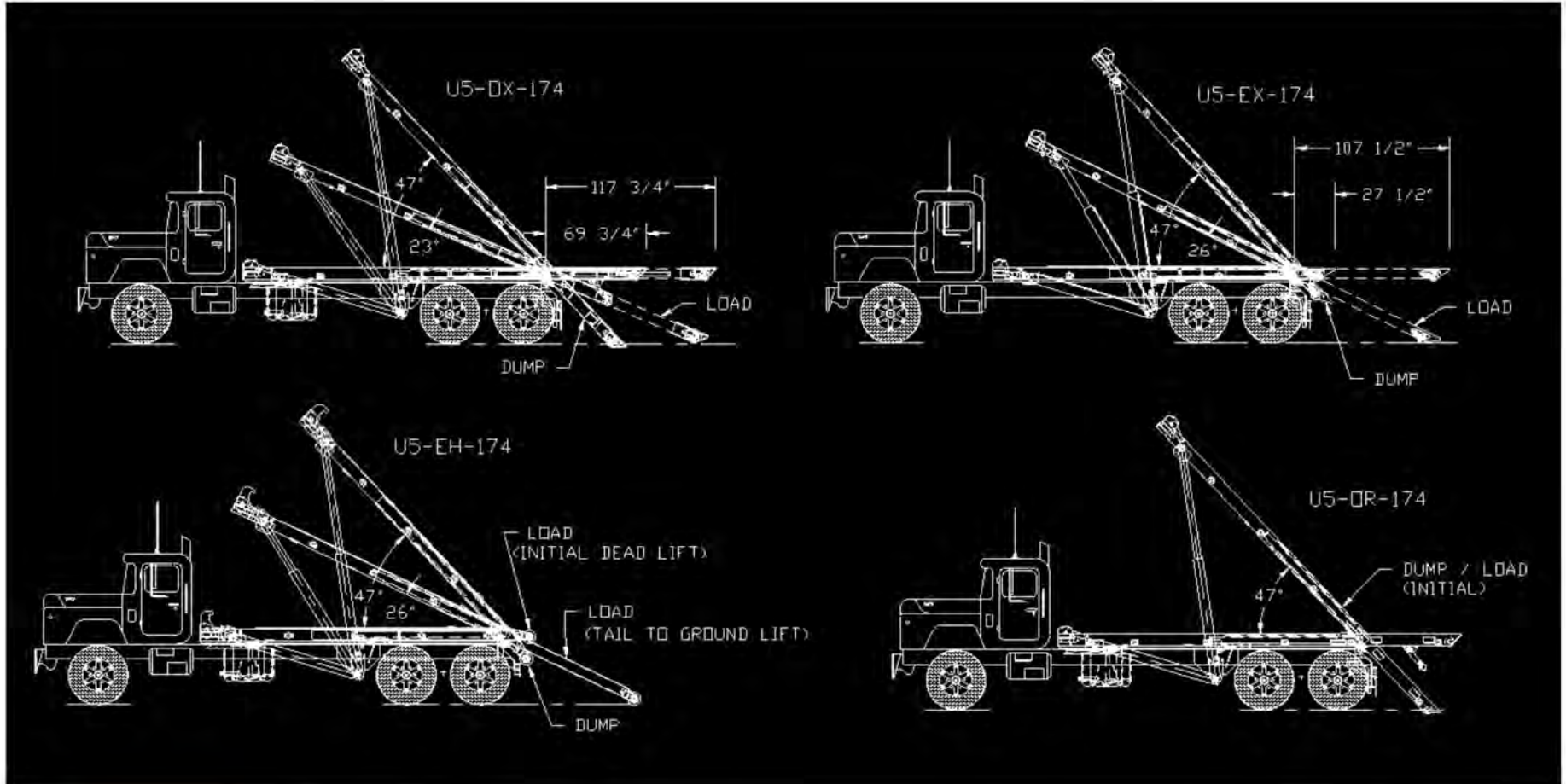


- OX Model
  - Looks like a standard OR model
  - Air ICC bumper standard
  - 22' containers standard
  - Fully extended – 10" longer than the EX model
  - Tail extends 48"
- Advantages
  - Most versatile extendable tail
  - Lowest loading angle – 23 degrees
  - Carry a larger variety of containers
  - Easily supports Self-container compactors
  - Fastest extend time

# Other Models

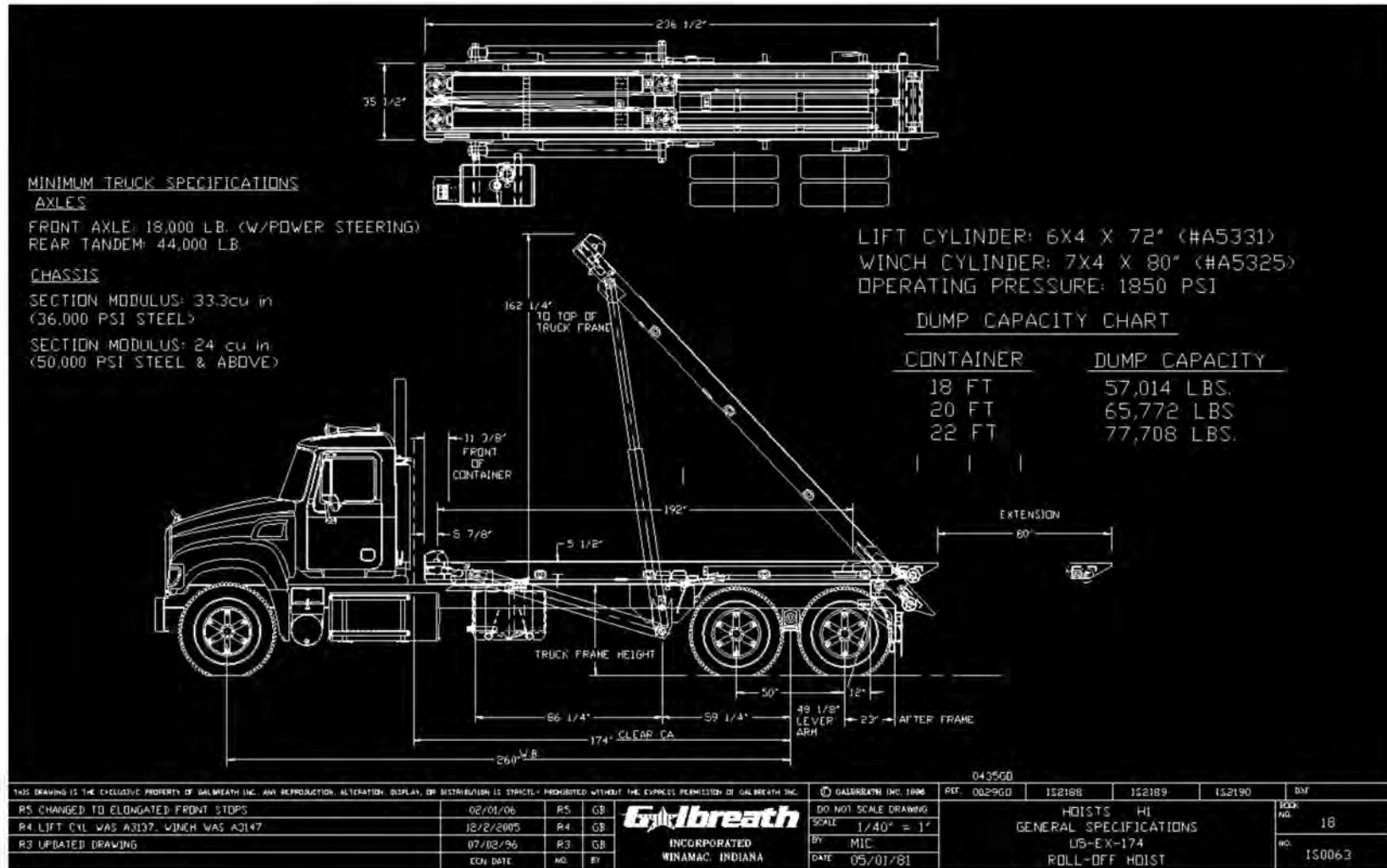
- IX – Inside Outside rail extendable tail
  - Benefits like the EX model
  - Load angle 26 degrees
- IOX – Inside Outside rail OX style extendable tail
  - Benefits like the OX model
  - Load angle 23 degrees
- EH – Extendable tail Deadlift hoists
  - Benefits like the EX model
  - Load angle 26 degrees

# Dump and Load Angles



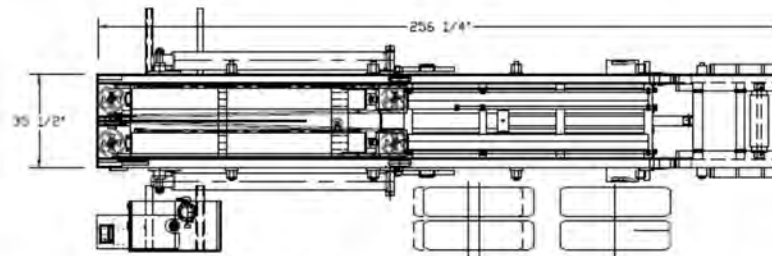


# Standard EX – 174 Model





# Extendable IO Model or IX Model



MINIMUM TRUCK SPECIFICATIONS

AXLES

FRONT AXLE: 18,000 LB. (W/POWER STEERING)  
 REAR TANDEM: 44,000 LB.

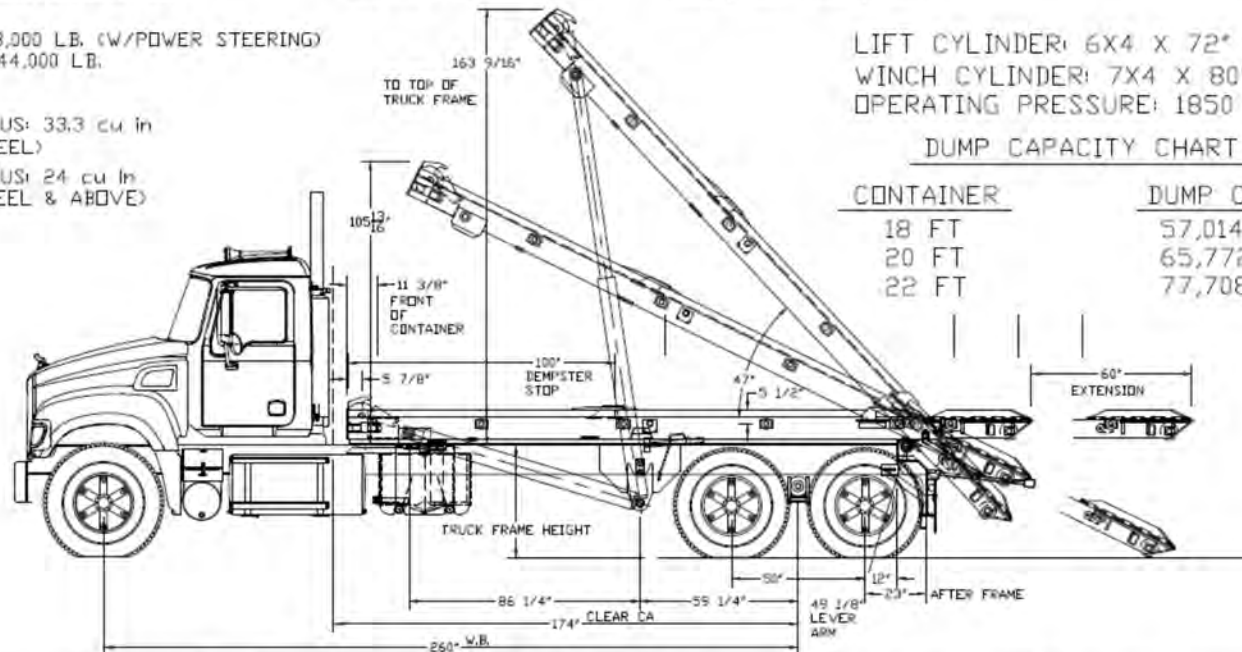
CHASSIS

SECTION MODULUS: 33.3 cu in  
 (36,000 PSI STEEL)  
 SECTION MODULUS: 24 cu in  
 (50,000 PSI STEEL & ABOVE)

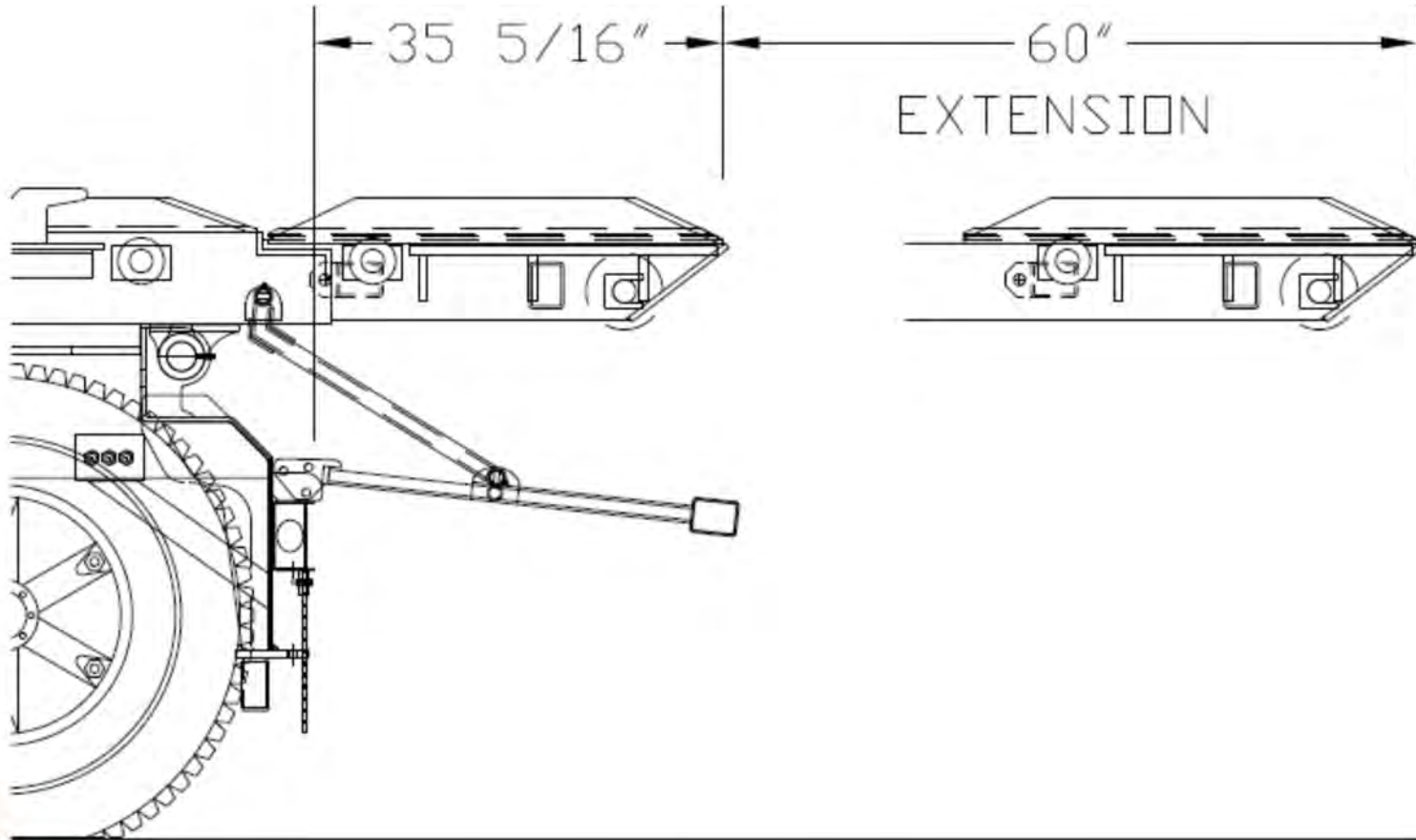
LIFT CYLINDER: 6X4 X 72" (#A5331)  
 WINCH CYLINDER: 7X4 X 80" (#A5325)  
 OPERATING PRESSURE: 1850 PSI

DUMP CAPACITY CHART

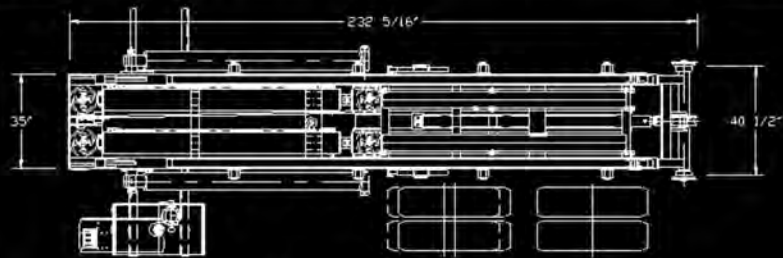
CONTAINER	DUMP CAPACITY
18 FT	57,014 LBS.
20 FT	65,772 LBS.
22 FT	77,708 LBS.



THIS DRAWING IS THE EXCLUSIVE PROPERTY OF CALMECH INC. ANY REPRODUCTION, ALTERATION, DISPLAY, OR DISTRIBUTION IS STRICTLY PROHIBITED WITHOUT THE EXPRESS PERMISSION OF CALMECH INC.				©Galbreath, Inc. 2005	080060						
COVERED BY ONE OR MORE OF THE FOLLOWING US PATENTS:				REF: 003260	IS2203	IS2204	IS2205	DR	ZK	ED	
R2 CHANGED TO EXTENDED FRONT STOPS	02/01/06	R2	GB	 DO NOT SCALE DRAWING SCALE: 1/40" = 1" BY: GEORGE DATE: 07/05/96	HOISTS H1 GENERAL SPECIFICATIONS U5-IX-174 ROLL-OFF HOIST				REV	NO.	18
R3 LIFT CYL WAS A3137, WINCH WAS A3147	12/19/05	R3	GB						NO.	IS2217	
EDN DATE	NO.	BY									



# Extendable Tail Deadlift – EH Model



**MINIMUM TRUCK SPECIFICATIONS**

**AXLES**

FRONT AXLE: 18,000 LB. (W/POWER STEERING)  
 REAR TANDEM: 44,000 LB.

**CHASSIS**

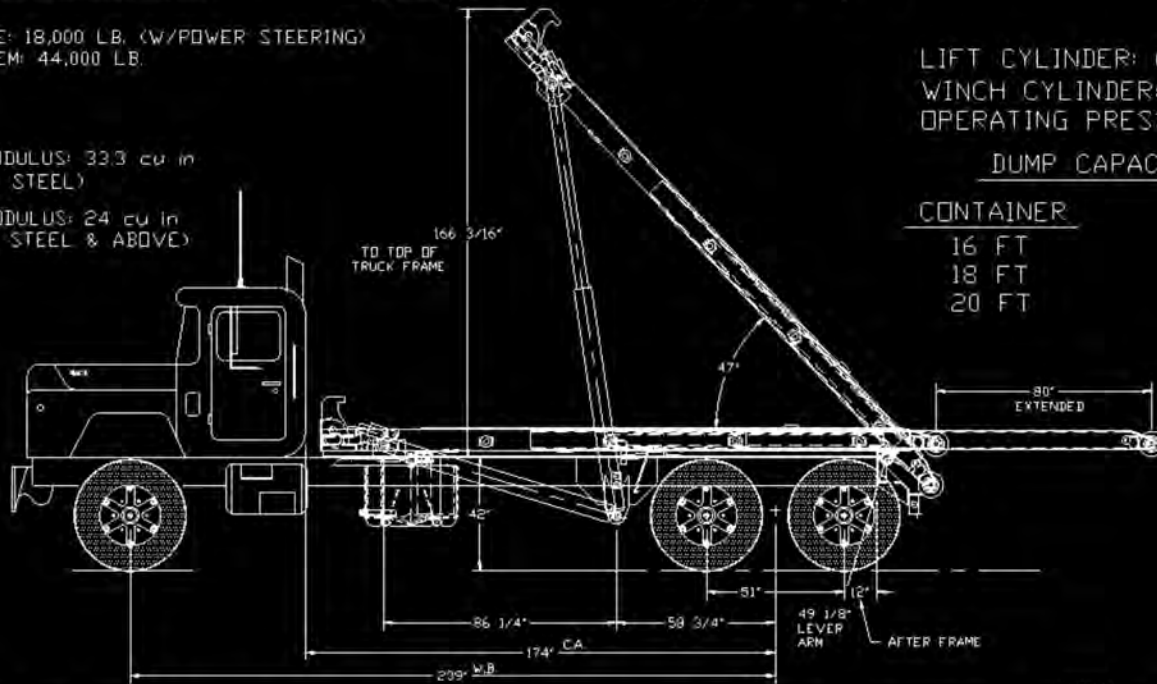
SECTION MODULUS: 33.3 cu in  
 (36,000 PSI STEEL)

SECTION MODULUS: 24 cu in  
 (50,000 PSI STEEL & ABOVE)

LIFT CYLINDER: 6X4 X 72" (#A5331)  
 WINCH CYLINDER: 7X4 X 80" (#A5325)  
 OPERATING PRESSURE: 1850 PSI

**DUMP CAPACITY CHART**

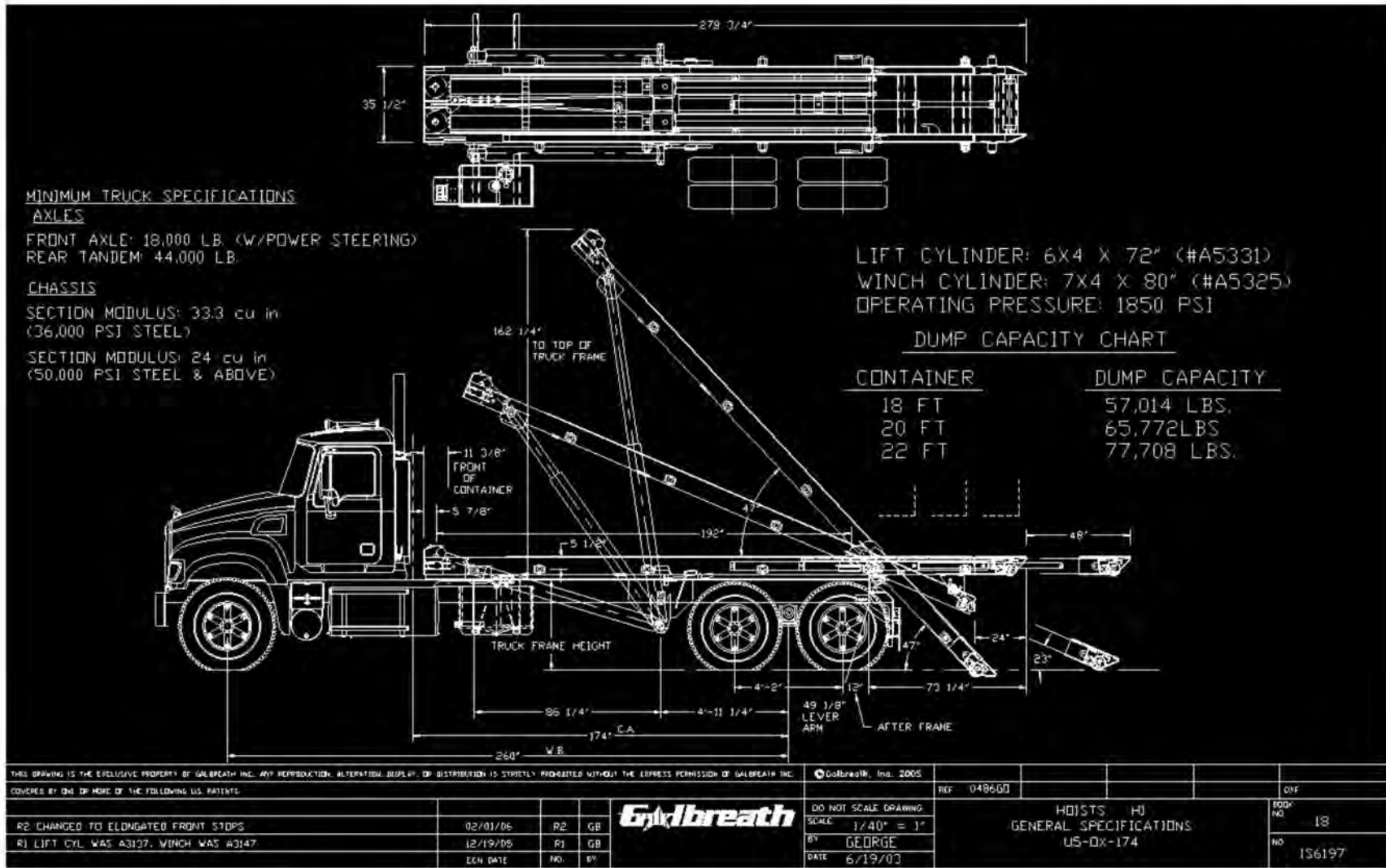
CONTAINER	DUMP CAPACITY
16 FT	TBD
18 FT	55,852 LBS.
20 FT	64,230 LBS



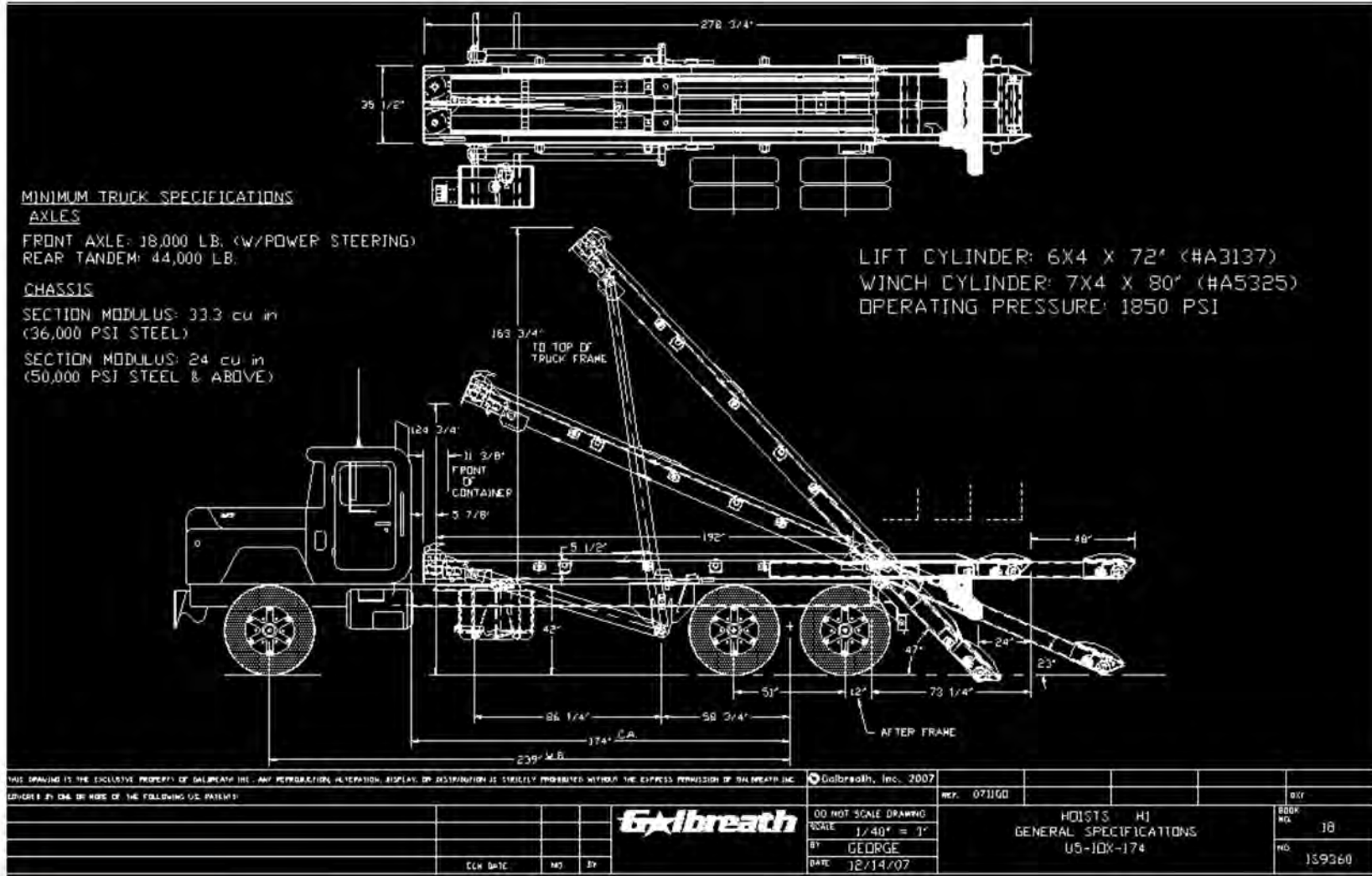
THIS DRAWING IS THE EXCLUSIVE PROPERTY OF GALBREATH INC. ANY REPRODUCTION, ALTERATION, DISPLAY, OR DISTRIBUTION IS STRICTLY PROHIBITED WITHOUT THE EXPRESS PERMISSION OF GALBREATH INC.				© GALBREATH INC. 1996		REF: 0034GD	1S2197	1S2198	1S2199	DIFF	ZK E2
R6 CONTAINER RANGE WAS LISTED AT 18FT TO 22FT	02/22/12	R6	JJD	<b>Galbreath</b>	DO NOT SCALE DRAWING	HOISTS HJ			REV		
R5 LIFT CYL WAS A3137, WINCH CYL WAS A3147	12/19/05	R5	GB		SCALE 1/40" = 1"	GENERAL SPECIFICATIONS			NO	J8	
R4 UPDATED DRAWING	07/03/96	R4	GB		BY MIC	U5-EH-174			NO	1S0573	
	ECH DATE	NO	BY		DATE 07/13/08						



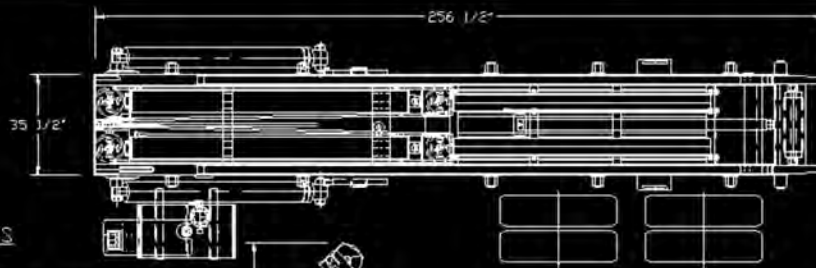
# OX models, when viewed from the side, look just like an OR



# Extendable Tail OX - I/O



# 194 Model



### MINIMUM TRUCK SPECIFICATIONS AXLES

FRONT AXLE: 18,000 LB. (W/POWER STEERING)  
REAR TANDEM: 44,000 LB.

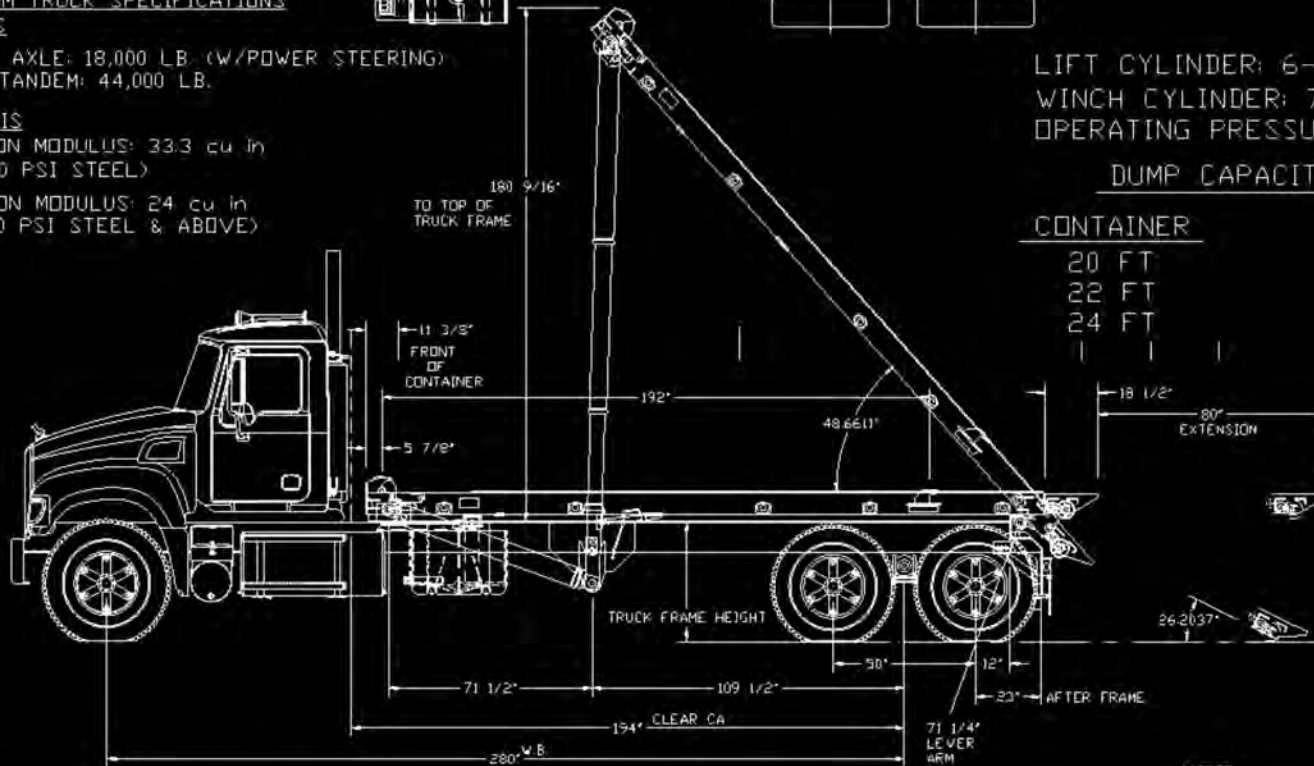
CHASSIS  
SECTION MODULUS: 33.3 cu in  
(36,000 PSI STEEL)

SECTION MODULUS: 24 cu in  
(50,000 PSI STEEL & ABOVE)

LIFT CYLINDER: 6-5 X 114" (#A3377)  
WINCH CYLINDER: 7X4 X 90" (#A5327)  
OPERATING PRESSURE: 1850 PSI

### DUMP CAPACITY CHART

CONTAINER	DUMP CAPACITY
20 FT	75,951 LBS.
22 FT	86,533 LBS.
24 FT	100,542 LBS.



043960

THIS DRAWING IS THE EXCLUSIVE PROPERTY OF GALBREATH INC. ANY REPRODUCTION, ALTERATION, DISPLAY OR DISTRIBUTION IS STRICTLY PROHIBITED WITHOUT THE EXPRESS PERMISSION OF GALBREATH INC.

© GALBREATH INC 1996 REF 002900 152228 152229 152230 DWP ZK EC

R5 CHANGED TO ELONGATED FRONT STOPS	02/02/96	R5	GE
R4 WINCH CYL WAS A3149	12/07/05	R4	GE
R3 UPDATED DRAWING	07/11/96	R3	GE
CON DATE	NO	BY	



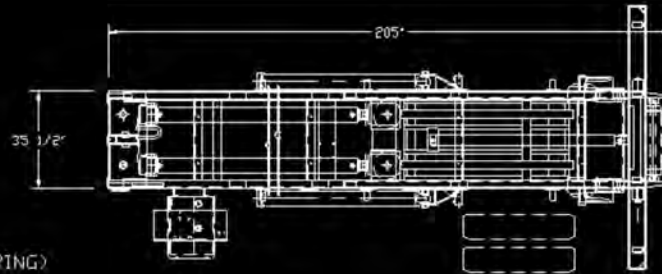
DO NOT SCALE DRAWING
SCALE 1/40" = 1"
BY MIC
DATE 05/05/81

HOISTS H1  
GENERAL SPECIFICATIONS  
US-EX-194  
ROLL-OFF HOIST

BOOK NO	18
NO	150126



# Single Axle Extendable Tail Hoist



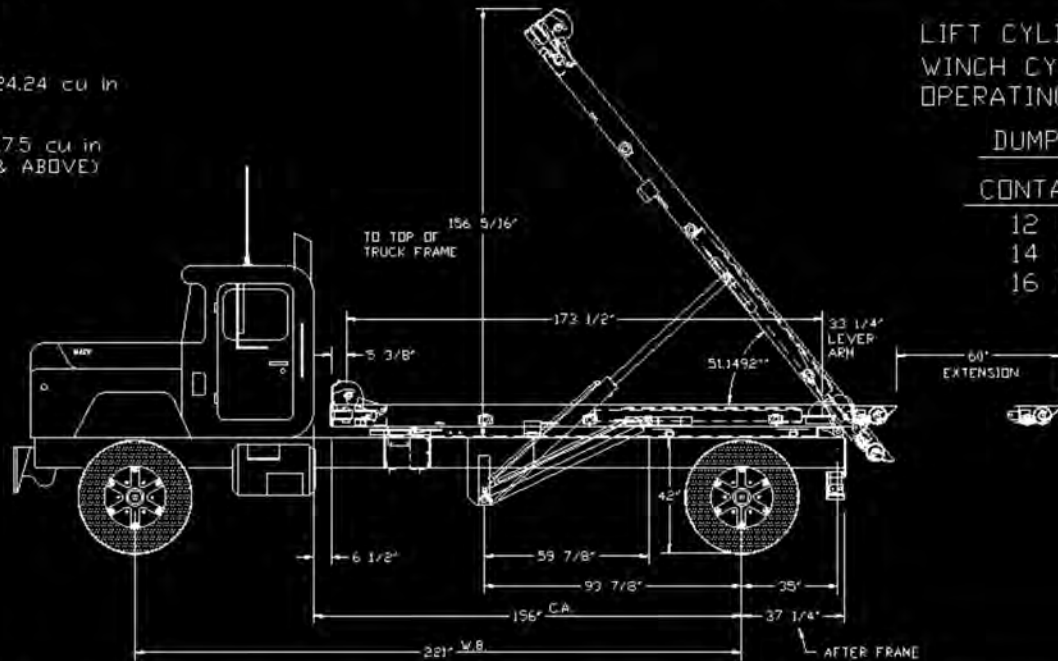
**MINIMUM TRUCK SPECIFICATIONS  
AXLES**

FRONT AXLE: 9,000 LB. (W/POWER STEERING)  
REAR TANDEM: 22,400 LB.

**CHASSIS**

SECTION MODULUS: 24.24 cu in  
(36,000 PSI STEEL)

SECTION MODULUS: 17.5 cu in  
(50,000 PSI STEEL & ABOVE)



LIFT CYLINDER: 5X3 X 54" (#A3359)  
WINCH CYLINDER: 5X3 X 66" (#A3113)  
OPERATING PRESSURE: 1850 PSI

**DUMP CAPACITY CHART**

CONTAINER	DUMP CAPACITY
12 FT	27,719 LBS.
14 FT	32,146 LBS.
16 FT	38,257 LBS.

THIS DRAWING IS THE EXCLUSIVE PROPERTY OF GALBREATH INC. ANY REPRODUCTION, ALTERATION, DISPLAY, OR DISTRIBUTION IS STRICTLY PROHIBITED WITHOUT THE EXPRESS PERMISSION OF GALBREATH INC.				© GALBREATH INC. 1998	REF: 6984AD	1S2451	1S2452	1S2453	DXF	ZK	ZK
				DO NOT SCALE DRAWING	HOISTS HJ				BOOK	18	
				SCALE 1/40" = 1"	GENERAL SPECIFICATIONS				NO	150671	
R2 REDRAWN ON CAD, UPDATED DRAWING				DB/19/96	R2	GE	U3-EX-156				
ECH DATE				NO.	BY	ROLL-OFF HOIST					
						DATE	09/28/82				



Tail roller on extension



80" extension



Very little overhand at the rear. No ICC bumper required

