

OTTO's New Wheel Delivers Maximum Performance

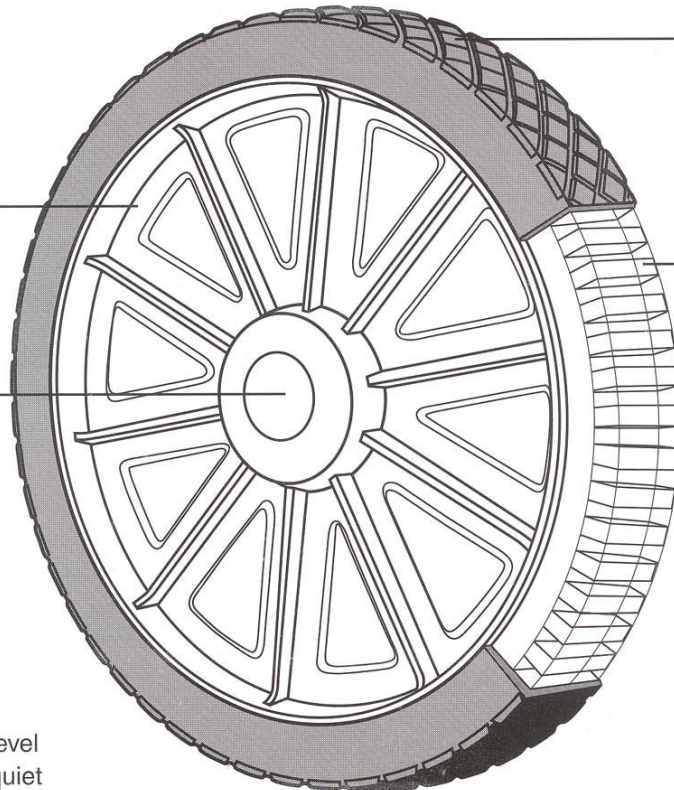


Wheel does not flat spot, hence rollability is enhanced when cart is loaded.

Easy to install, remove and replace snap-on hub.

Load rate tested to exceed 10 years of life under normal use.

Tread cap reduces noise level so wheels are quiet when rolled.



Pliable injection molded tread cap is locked firmly onto hub eliminating tire roll off.

Cell structure of hub is designed to absorb and dissipate majority of impact force before it reaches the axle.

Designed to duplicate the traditional look of a semi-pneumatic rubber tire while eliminating problems inherent to rubber.

Wheels are over 50% lighter than traditional rubber tires for added ease of maneuverability.