

Goliath™ G400

HIGH COMPACTION COMMERCIAL REAR LOADER



The Next Generation of the Legendary Goliath

- Packs up to 1200 Lbs per Yd³
- 4 Yd³ Hopper – Largest in the Industry
- Linkage Packer Design – No Shoes, Rollers or Slides to Wear Out
- Improved Throttle Advance, Using Proximity Sensors Instead of Electrical Switches
- Zinc Dichromate Plated Tubing with Unpainted Hoses and Fittings
- Flush Tailgate Panels – Resists Trash Build-Up That Can Cause Rust and Corrosion
- Powder Coat Paint Is Far Superior to Wet Paint – An E-Z Pack Exclusive
- Smart Steel Reduces Body Weight, Maximizes Payload
- Lowest Loading Height, Simple Controls
- 1 YEAR BODY WARRANTY



Available with Integrated CNG Fuel System



Scan This Code
& See The Video

So Advanced, It's Simple



Refuse Hauling Solutions, LLC

Holtz Industries, Inc. | 200 South Terrace Ct | Newark, OH 43055

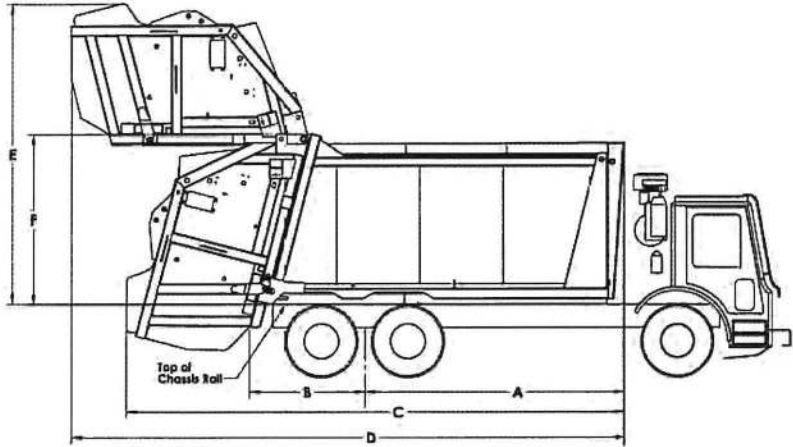
TF: 1-800-535-0104 | Fax: 740-366-0771

E-Z Pack

GOLIATH™ G400

High Compaction Rear Loader

SPECIFICATIONS



MODEL	G400-20	G400-25	G400-31
CAPACITY	20 Cu. Yd. (15.3 m ³)	25 Cu. Yd. (19.1 m ³)	31 Cu. Yd. (23.7 m ³)
A CAB TO TRUNNION (CT)	126" - 132" (3200 - 3353 mm)	156" - 162" (3962 - 4115 mm)	190" - 196" (4826 - 4978 mm)
CLEAR PLATFORM	172" (4369 mm)	206" (5232 mm)	246" (6248 mm)
B TRUNNION TO FRAME END	44" AF min. (1118 mm)		
C LENGTH (Including Tailgate)	251" (6375 mm)	285" (7239 mm)	325" (8255 mm)
D LENGTH (Tailgate Raised)	284" (7214 mm)	318" (8077 mm)	358" (9093 mm)
E HEIGHT (Tailgate Raised)	174.25" (4426 mm)		
F HEIGHT (Above Chassis Frame)	97.75" (2483 mm)		
INSIDE WIDTH (Body)	91.5" (2324 mm)		
LOADING HEIGHT (Below Frame)	Up to 5.5" below chassis frame, depending on options selected (140 mm)		
LOADING OPENING	80" (2032 mm) x 64" (1626 mm) high		
OUTSIDE WIDTH	96" (2438 mm)		
HOPPER CAPACITY	4 Cu. Yd. (3.1 m ³)		
WEIGHT	14,500 lbs. (6577 kg)	15,200 lbs. (6895 kg)	16,000 lbs. (7258 kg)

Chassis specifications listed are intended as general guidelines only. Each chassis selection should be made on an analysis of the weight distribution for the particular chassis/body combination including optional equipment and anticipated payloads. CNG Models add 14" to length dimensions. Consult factory for CNG systems greater than 60 DGE; Booster pod may require additional length.

CONSTRUCTION AND OPERATIONAL DETAILS	
Body Floor	1/4" (6.35 mm) 100,000 PSI
Body Sides	7 ga. (4.55 mm) 100,000 PSI
Body Roof	10 ga. (3.42 mm) 100,000 PSI
Ejector Panel	7 ga. (4.55 mm) 100,000 PSI
Hopper Floor	1/4" Plate (6.35 mm) 155,000 min. 400 BHN
Hopper Sides (Lower)	1/4" (6.35 mm) 100,000 PSI
Packing Panel	1/4" (6.35 mm) 100,000 PSI
HYDRAULIC SYSTEM	
Packing Cylinders (2) w/Induction Hardened Rod & Steel Rod Wipers	6" (152 mm) (D.A.)
Sweep Cylinders (2) w/Induction Hardened Rod & Steel Rod Wipers	4" (102 mm) (D.A.)
Tailgate Cylinders (2)	4" (102 mm) (D.A.)
Ejector Cylinder (1)	20 Yd. - 6-1/2" (165 mm) 2-Stage 25 Yd. - 6-1/2" (165 mm) 3-Stage 31 Yd. - 7-1/2" (191 mm) 4-Stage
Hydraulic Oil Tank	67 Gallons (254 Liters)
Hydraulic Pump	30 G.P.M. @ 1200 RPM (114 Liter/Min.)
Hydraulic Filters	Suction - 100 Mesh Return - 3 Micron
System Operating Pressure	2,500 PSI

SPECIAL NOTES:

- 1) PTO Requirements are 45 HP @ 1200 RPM (Torque Rating 250 Ft. Lb.) Minimum
- 2) Chassis MUST be equipped with diesel engine and requires variable speed governor with body builders connection for engine remote throttle, programmed and preset to approximately 1400 RPM.
- 3) Chassis lighting must be set up and programmed for heavy duty package and duplicate independent stop and turn signals

Standard Features

- Manual Controls
- Tailgate Props
- Back Up Alarm
- Body Lifting Eyes
- High Mount Light Package
- LED Lighting
- ICC Lights and Reflectors Meet DOT Requirements
- Non-Skid Riding Steps at Rear Corners of Tailgate
- Streetside and Curbside Buzzers
- Automatic Latch-Unlatch Tailgate
- 1 YEAR FULL BODY WARRANTY

Optional Equipment

- Air Shift or Hot Shift PTO's
- Street Side Access Door
- Front Mount Pump
- Dual Hopper Flood Lights
- Rear Body Side Liner
- 10,000 lb. (4536 kg) Overhead Winch*
- 14,000 lb. (6350 kg) Reeving Cylinder Winch*
- System Pressure Gauge
- 1-3 Yard (.76 - 2.3 m³) Hydraulic Kickbar
- Cart Tipppers

* Optional Container Dumping Devices Handle Containers up to 10 Cubic Yards (7.6 m³)

Operational Features

- **COMPACTION CYCLE:**
Manual hydraulic, automatic split cycle, fully reversible
- **CYCLE TIME:**
28-30 seconds, reload @ 10-12 seconds
- **PACKER PANEL:**
Curved, one-piece construction
- **EJECTOR PANEL:**
Travels in steel guide shoes, floor level track
- **PACKING CYLINDERS:**
Positioned away from refuse for trouble-free operation
- **EJECTOR CYLINDER:**
Heavy Duty, double-acting, telescopic

E-Z Pack Refuse Hauling Solutions, LLC, reserves the right under its Product Improvement Program to modify construction and/or design and furnish equipment without reference to illustrations and specifications shown herein. All specifications are subject to change without notice.



© Copyright 2014, E-Z Pack Refuse Hauling Solutions, LLC

Authorized Distributor:

Holtz Industries, Inc. | 200 South Terrace Ct | Newark, OH 43055
TF: 1-800-535-0104 | Fax: 740-366-0771

Printed in U.S.A.