

# ROLL-OFF CABLE HOISTS



Holtz Industries, Inc.

200 South Terrace Court | Newark, OH 43055

TF: 1-800-535-0104 | Web: [www.holtzindustries.com](http://www.holtzindustries.com)



## HH SERIES

Deadlift hoists are ideal for use in metropolitan areas where space is at a premium. The HH series requires no ICC bumper and shorter containers (20') are used on all hoist models.

- » **30,000 to 50,000 lb. capacity**
- » **Single and tandem axle**

**HH SERIES**

## STANDARD FEATURES

### Ease of operation

- Centered cab-mount Power Tower
- Plug n' Play wiring system
- Pintle ready rear aprons
- Standard inside air control

### Safety

- Automatic front container spring-loaded locking system and rear container hold-downs
- Heavy-duty safety props
- Backup alarm and hoist up alarm with signal light on dash
- Optional hoist up speed-limiting parameters

\* **Factory mount models**

### Durability

- 3 micron filtration system with dual viscosity oil
- Two part epoxy primer and paint\*
- Field tested heavy duty rear hinge
- Hoist frames are huck bolted to chassis\*
- Shock-absorbing sub-frame
- Oil reservoir is filter cart ready
- LED lighting
- Lifetime warranty on frame and two-year warranty on hydraulics

### Quality

- Lean manufacturing process, along with engineering, solid modeling and stress analysis testing, ensure quality, consistent product every time
- Customized engineering layouts are created based on customers' chassis to ensure compatibility

## AVAILABLE OPTIONS

- Reverse cylinder mount
- Pintle hook applications
- Various fender selections
- Auxiliary hydraulic hook-ups
- Scale systems
- Pioneer Rack 'n Pinion tarping systems



# GALBREATH QUALITY

Holtz Industries, Inc.  
200 South Terrace Court | Newark, OH 43055  
TF: 1-800-535-0104 | Web: [www.holtzindustries.com](http://www.holtzindustries.com)

## Standard Features

Competitor's filter



3 micron (pictured at right) filtration system with dual viscosity oil reduces contamination, required maintenance and down time

Galbreath filter



Automatic front container spring-loaded locking system and rear container hold-downs help ensure container remains in place



"Plug n' Play" wiring system eliminates crossed wires, loose connections, corrosion and splices; allows for easy light replacement



Hoist frames are huck bolted to chassis, providing unmatched strength and durability (factory mount only)



Oil reservoir is filter cart ready, reducing maintenance costs

## Available Options

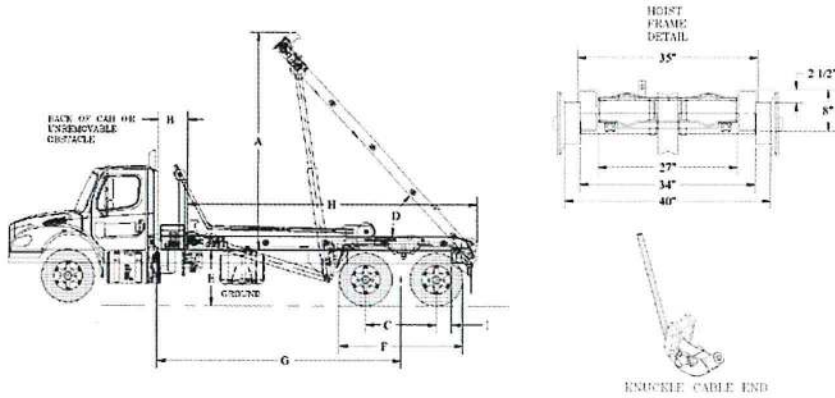


Pindle ready rear aprons allow for the addition of a pindle hook and easy upgrade to a trailer package



Optional rear ratchet straps on all cable models

# SPECIFICATIONS



## Notes for chart below:

- 1 When recommending container lengths, weight distribution, fender interference and overhang are factors
- 2 Factory tested with recommended container length and water level load
- 3 Frame = top of truck chassis frame
- 4 This distance does not allow for a behind-the-cab oil reservoir, tarper platform and room to add a tarper. Must add distance for these items
- 5 Using 22.5" tires only. For larger tires, consult representative
- 6 Depends on rear apron style. Contact engineering

## FEATURES

## SINGLE AXLE

## TANDEM AXLE

|                           |                                                                                    |                                                                                  |
|---------------------------|------------------------------------------------------------------------------------|----------------------------------------------------------------------------------|
| <b>Hoist frame</b>        | 8" x 4" x 1/2" A500 grade C tubing                                                 | 8" x 4" x 1/2" A500 grade C tubing                                               |
| <b>Subframe</b>           | 3" x 2" x 3/16" A500 grade C tubing                                                | 3" x 2" x 3/16" A500 grade C tubing                                              |
| <b>Front stop</b>         | 1" plate steel                                                                     | 1" plate steel                                                                   |
| <b>Front safety lock</b>  | Automatic spring loaded                                                            | Automatic spring loaded                                                          |
| <b>Hinge shaft</b>        | 1 15/16" solid steel                                                               | 2 1/2" solid steel                                                               |
| <b>Cable anchors</b>      | 4 cable clamps                                                                     | 4 cable clamps                                                                   |
| <b>Cable end</b>          | Swaged end with swivel knuckle hook                                                | Swaged end with swivel knuckle hook                                              |
| <b>Rear hold downs</b>    | 1 1/4" plate located for standard Wastequip containers                             | 1 1/4" plate located for standard Wastequip containers                           |
| <b>Operating pressure</b> | 1,850 psi                                                                          | 1,850 psi                                                                        |
| <b>Hydraulic pump</b>     | Gear type 35 gpm @ 1,500 rpm                                                       | Gear type 35 gpm @ 1,500 rpm                                                     |
| <b>Hydraulic valve</b>    | 2 spool / 65 gpm with safety bypass                                                | 2 spool / 65 gpm with safety bypass                                              |
| <b>Oil reservoir</b>      | 50 gallon with filter and screen fill                                              | 50 gallon with filter and screen fill                                            |
| <b>Outside rollers</b>    | 8" OD with 4" wide bronze bearings                                                 | 8" OD with 4" wide bronze bearings                                               |
| <b>Cable sheaves</b>      | 10" OD with bronze bearings                                                        | 10" OD with bronze bearings                                                      |
| <b>Working points</b>     | Greasable                                                                          | Greasable                                                                        |
| <b>Chassis front axle</b> | 9,000 (min.) capacity with power steering                                          | 18,000 (min.) capacity with power steering                                       |
| <b>Chassis rear axle</b>  | 22,400 lbs. capacity (min.)                                                        | 44,000 lbs. capacity (min.)                                                      |
| <b>Frame modulus</b>      | 50,000 PSI or more chassis frames - minimum section modulus = 17.5 in <sup>3</sup> | 50,000 PSI or more chassis frames - minimum section modulus = 24 in <sup>3</sup> |
| <b>Torque required</b>    | 103 foot pounds of torque                                                          | 245 foot pounds of torque                                                        |

|                                                                                      | U3-HH-138        | U4-HH-156            | U5-HH-156            | U4-HH-174            | U5-HH-174            | UT-HH-174         | U5-HH-194        | UT-HH-194         | UM-HH-194        |
|--------------------------------------------------------------------------------------|------------------|----------------------|----------------------|----------------------|----------------------|-------------------|------------------|-------------------|------------------|
| FEATURE                                                                              | SINGLE AXLE      | TANDEM AXLE          | TANDEM AXLE          | TANDEM AXLE          | TANDEM AXLE          | TANDEM AXLE       | TANDEM AXLE      | TANDEM AXLE       | TANDEM AXLE      |
| <b>Recommended container size<sup>1</sup></b>                                        | 14'-18'          | 16'-18'              | 16'-18'              | 18'-20'              | 18'-20'              | 18'-20'           | 20'-22'          | 20'-22'           | 20'-22'          |
| <b>Rated capacity<sup>2</sup></b>                                                    | 30,000 lbs.      | 40,000 lbs.          | 50,000 lbs.          | 40,000 lbs.          | 50,000 lbs.          | 50,000 lbs.       | 50,000 lbs.      | 50,000 lbs.       | 50,000 lbs.      |
| <b>A - Height above truck frame<sup>3</sup></b>                                      | 147"             | 153"                 | 166"                 | 166"                 | 166"                 | 168"              | 185"             | 183"              | 184"             |
| <b>B - Back of cab to hoist<sup>4</sup></b><br>(add 12" for tarper or hard plumbing) | 6"               | 6"                   | 6"                   | 6"                   | 6"                   | 6"                | 6"               | 6"                | 6"               |
| <b>C - Axle spread</b>                                                               | n/a              | 51-55"               | 51-55"               | 51-55"               | 51-55"               | 51-55"            | 51-55"           | 51-55"            | 51-55"           |
| <b>D - Raised dump angle</b>                                                         | 51°              | 48°                  | 48°                  | 47°                  | 48°                  | 48°               | 48°              | 48°               | 48°              |
| <b>E - Top of truck frame to ground<sup>5,6</sup></b>                                | 41"              | 40-46"               | 40-46"               | 40-46"               | 40-46"               | 40-46"            | 40-46"           | 40-46"            | 40-46"           |
| <b>F - Tire OD to OD</b>                                                             | n/a              | 96" max              | 96" max              | 96" max              | 96" max              | 96" max           | 96" max          | 96" max           | 96" max          |
| <b>G - Cab to Trunnion (CT)</b><br>(add 12" for tarper or hard plumbing)             | 138"             | 156"                 | 156"                 | 174"                 | 174"                 | 174"              | 194"             | 194"              | 194"             |
| <b>H - Hoist length</b>                                                              | 187"             | 208"                 | 208"                 | 226"                 | 226"                 | 226"              | 245"             | 245"              | 245"             |
| <b>I - After frame<sup>6</sup></b><br>Add 2" for air ride                            | 41"              | 12"                  | 12"                  | 12-25"               | 12-25"               | 12-25"            | 12-25"           | 12-25"            | 12-25"           |
| <b>Lift cylinders</b><br>DA = double acting<br>DAT = double acting telescopic        | 5" x 3" x 54" DA | 6" x 4 1/2" x 72" DA | 6" x 4 1/2" x 72" DA | 6" x 4 1/2" x 72" DA | 6" x 4 1/2" x 72" DA | 6-5-4" X 118" DAT | 6-5" x 114" DAT  | 6-5-4" X 118" DAT | 6-5" X 79" DAT   |
| <b>Lift cylinders shaft</b>                                                          | 1 1/2" solid     | 2 1/2" solid         | 2 1/2" solid         | 2 1/2" solid         | 2 1/2" solid         | 2 1/2" solid      | 2 1/2" solid     | 2 1/2" solid      | 2 1/2" solid     |
| <b>Winch cylinders</b><br>DA = double acting                                         | 5" x 3" x 66" DA | 6" x 3" x 75" DA     | 7" x 3" x 75" DA     | 6" x 3" x 80" DA     | 7" x 3" x 80" DA     | 7" x 3" x 80" DA  | 7" x 3" x 80" DA | 7" x 3" x 80" DA  | 7" x 3" x 80" DA |
| <b>Approx. weight with standard features</b>                                         | 4,300 lbs.       | 5,650 lbs.           | 6,102 lbs.           | 5,764 lbs.           | 6,489 lbs.           | 6,527 lbs.        | 7,756 lbs.       | 7,756 lbs.        | 6,683 lbs.       |

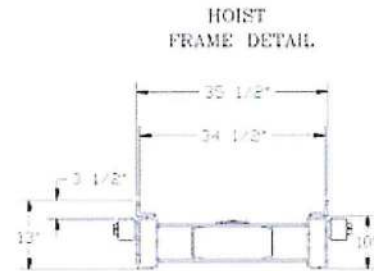
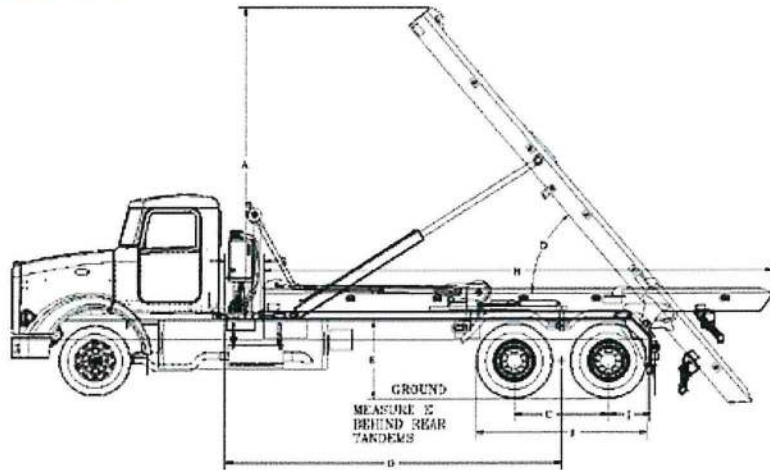
Holtz Industries, Inc.

200 South Terrace Court | Newark, OH 43055

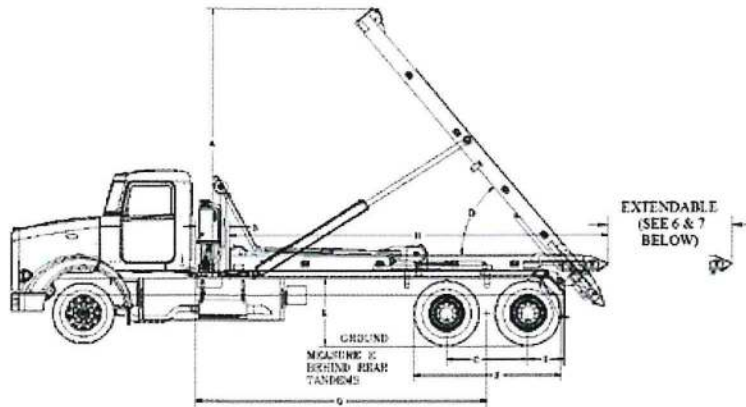
TF: 1-800-535-0104 | Web: www.holtzindustries.com

# HOIST DRAWINGS

## IO Series

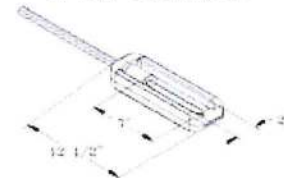


## EX Series

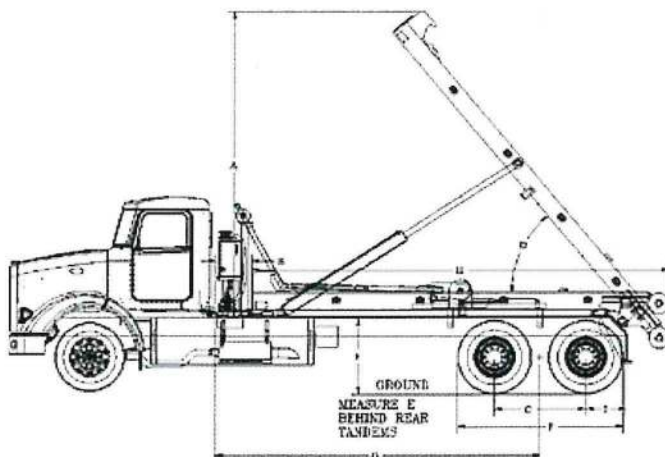


HOIST  
FRAME DETAIL

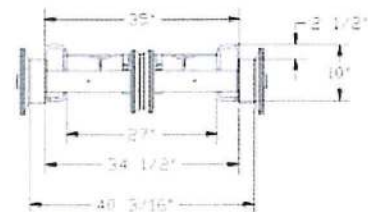
SWIVEL CABLE END



## HH Series



HOIST  
FRAME DETAIL



KNUCKLE CABLE END

Holtz Industries, Inc.

200 South Terrace Court | Newark, OH 43055

TF: 1-800-535-0104 | Web: [www.holtzindustries.com](http://www.holtzindustries.com)

## AVAILABLE OPTIONS

- Reverse cylinder mount
- Pintle hook applications
- Various fender selections
- Auxiliary hydraulic hook-ups
- Scale systems
- Pioneer Rack 'n Pinion tarping systems

## TRUCK SPECIFICATIONS

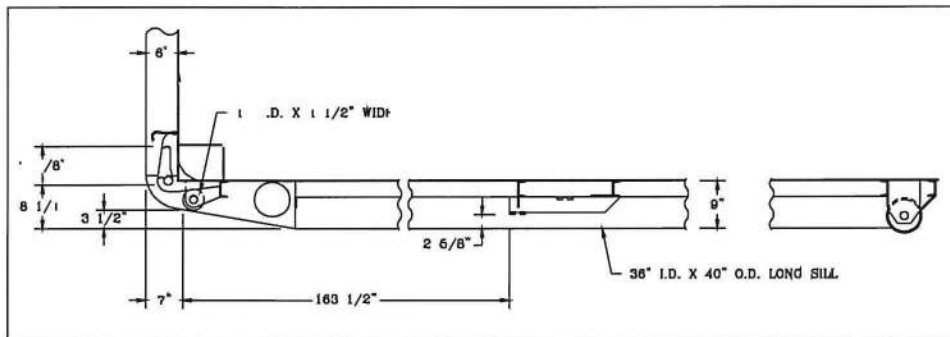
### Single axle:

- Front axle: 9,000 lbs. (min.) capacity
- Rear axle: 22,400 lbs. (min.) capacity
- 36,000 psi chassis frames
- Minimum section modulus = 24.3 in.<sup>3</sup>
- 50,000 psi or more chassis frames
- Minimum section modulus = 17.5 in.<sup>3</sup>

### Tandem axle:

- Front axle: 18,000 lbs. (min.) capacity
- Rear axle: 44,000 lbs. (min.) capacity
- 36,000 psi chassis frames
- Minimum section modulus = 33 in.<sup>3</sup>
- 50,000 psi or more chassis frames
- Minimum section modulus = 24 in.<sup>3</sup>

## CONTAINER REQUIREMENTS



| DIMENSION "X"*                                 |                         |                        |          |        |        |        |        |                        |
|------------------------------------------------|-------------------------|------------------------|----------|--------|--------|--------|--------|------------------------|
| CONTAINER LENGTHS                              |                         |                        |          |        |        |        |        |                        |
| MODEL                                          | 12 ft.                  | 13 ft.                 | 14 ft.   | 15 ft. | 16 ft. | 17 ft. | 18 ft. | 19 ft. +               |
| All (except U2-EX/IO/OR-138 & U3-EX/IO/OR-156) | Additional info. needed | 145 1/2"               | 145 1/2" | 149"   | 149"   | 173"   | 173"   | 191"                   |
| U2-EX/IO/OR-138                                | Length not recommended  | Length not recommended | 149"     | 173"   | 158"   | 158"   | 158"   | Length not recommended |
| U3-EX/IO/OR-156                                | Length not recommended  | Length not recommended | 149"     | 173"   | 158"   | 158"   | 158"   | Length not recommended |

\* Dimension "X" is center of rail roller to front of rear hold down

NOTE: Tolerance for all models is +1" / -0" except where container lengths are not recommended or where more information is required.



Holtz Industries, Inc.

200 South Terrace Court | Newark, OH 43055

TF: 1-800-535-0104 | Web: [www.holtzindustries.com](http://www.holtzindustries.com)