

# M6-250 SERIES ROLL-OFF TRAILER



## Features

- ▶ 60,000 lb. hoist capacity
- ▶ Lightweight (15,600 lbs.) design for larger payloads
- ▶ Two (2) telescoping lift cylinders provide greater stability
- ▶ Handles containers up to 30' long (OR and IO models) or 26' (EX models)
- ▶ Shorter overall length for greater maneuverability
- ▶ Lower trailer height accommodates tall containers

All Galbreath products are designed to be compliant with ANSI standard container requirements.

- Available Models:**
- Outside Rail (OR)
  - Extendable Tail (EX)
  - Inside/Outside Rail (IO)
  - Deadlift (HH)



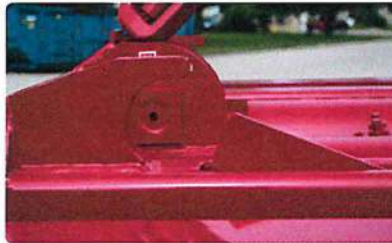
\*EX model shown with following options: aluminum diamond plate fenders, aluminum rims and premium red paint. Standard has black paint, quarter poly rear fenders and steel rims.

## Options

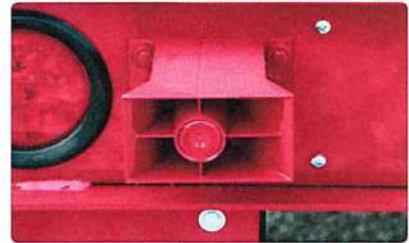
- ▶ Tarping systems
- ▶ Aluminum wheels
- ▶ Outboard-supported rollers
- ▶ Toolbox
- ▶ Auto grease system
- ▶ Auto air inflation system
- ▶ Air ride suspension
- ▶ Tire carrier
- ▶ Rear wing plate



"Plug n' Play" wiring system eliminates crossed wires, loose connections, corrosion and splices; allows for simple light replacement.



Automatic front container spring-loaded locking system and rear container hold-downs help ensure container remains in place.



The hoist-up alarm is a standard safety feature. When hoist is engaged, alarm will sound, warning of hoist and container movement.



All trailer hoists have dual safety props to add extra security when the hoist is in the up position. 7 rollers per side help aid the container as it is loaded or unloaded on the hoist. Each roller is equipped with a bearing and a grease fitting for easy rolling and maintenance.



2 cylinders are mounted on the outside of the rails to provide stability when loading/unloading heavy boxes.



Optional full aluminum diamond plate fenders shown. Quarter poly rear fenders are standard.

**Holtz Industries, Inc | 200 South Terrace Ct | Newark, OH 43055**

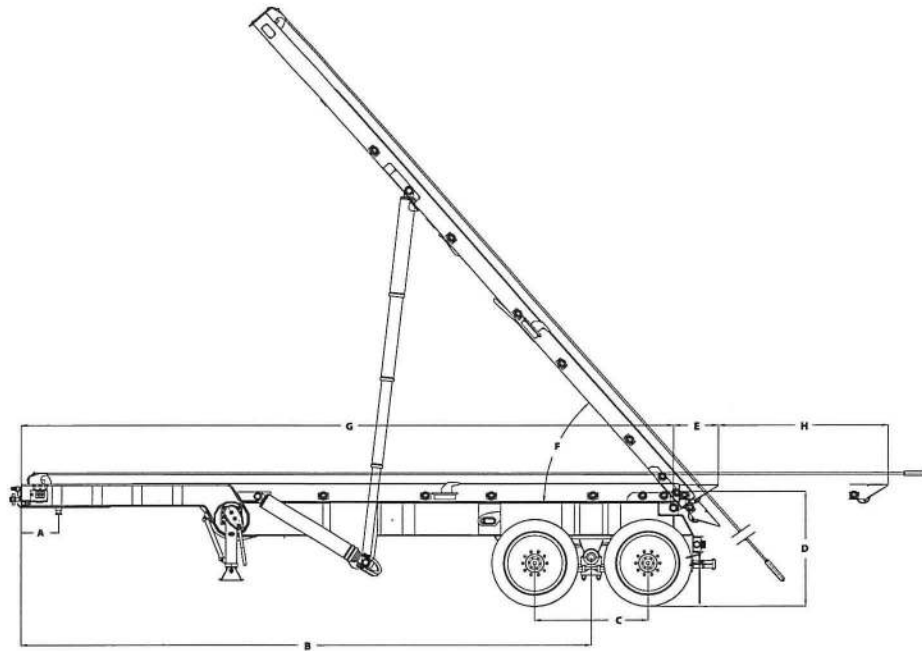
**TF: 1-800-535-0104 | Web: www.holtzindustries.com**



Mobile Products Division



# M6-250 SERIES ROLL-OFF TRAILER



M6-EX-250	M6-OR-250
A = 18"	A = 18"
B = 267-1/4"	B = 267-1/4"
C = 53"	C = 53"
D = 54-3/16"	D = 54-3/16"
E = 21-1/4"	E = 72-5/8"
F = 49°	F = 49°
G = 305-3/4"	G = 305-3/4"
H = 80"	

GENERAL TRAILER INFORMATION	
Overall Trailer Length	(G+E) = 31'9" (OR) and = 27'3" (EX)
Weight	15,600 lbs. (EX)
Dump Angle	(F) 49°
Ratchet / Hold Down System	Ratchet / stationary hold downs
Container Range	22'-30' (OR)
Hoist Capacity	60,000 lbs.
Rollers / Sheaves	All Greasable
Lighting	LED
ICC Bumper	Standard on OR/IO models

AXLES, SUSPENSION AND BRAKING	
Axles Rating	25,000 lbs.
Suspension Rating	50,000 lbs. Hutch Single Point Tandem
Landing Gear	200,000 lbs., 2-Speed
Tires	11R X 22.5 16 Ply
Wheels	Steel 10 hole hub piloted
Fenders	Quarter poly (steel or aluminum available)
Brake System	ABS

STRUCTURES	
Hoist Frame	8" X 4" X 1/2" rect. tubing ASTM A500 Grade C (3/8" EX)
Trailer Frame	16" X 36# W.F. i-beam A36
Cable	7/8", 6 x 37 EXIWRC regular right lay
Finish / Paint	2-part black epoxy

HYDRAULICS	
Lift Cylinders	6" X 5" X 4" DA TELESCOPIC
Winch Cylinders	7" X 4" X 108" DA, ground, polished & chrome
Working Pressure	2,000 PSI
Maximum Pressure	2,500 PSI
Hoses	3,125 psi
Plumbing	Hydraulic steel tubing



Holt Industries, Inc | 200 South Terrace Ct | Newark, OH 43055  
 TF: 1-800-535-0104 | Web: www.holtindustries.com